



Performance Features:

Patient Tray Transport and Server



Rack Grommets

Stainless steel inside and out provides maximum reliability and sanitation. Heliarc welded, single-unit construction for long life maximum durability.

Insulated door, rubber door stoppers, and rack grommets help quiet the transport of patient trays.

Stainless steel tray slide design holds patient trays by the bottom for greater support for heavy food items.

Magnetic latch secures door quietly.

270° door swing keeps unloading compact. Doors are out-of-the-way in busy hallways.



Rubber Door Stoppers

8" Multi-Terrain Quiet Ride casters roll easily and smoothly through the hospital environment.



Maneuver cart easily with welded tubular stainless steel handle.

Lift-off doors and pitched center drain facilitates thorough cleaning.

Styrene hand grip inhibits bacterial growth. No moving parts to repair or replace. No hidden areas that promote bacteria.

Full perimeter bumper extends beyond doors and handles for added protection. Corner bumper cut-outs facilitate cleaning.

ETC-1520-10

Shown with 300 series stainless steel, top mounted tubular handle, pitched drain, 3-sided top rail optional accessories.



Patient Tray Transport & Serving

ETC-1520-10

Capacity:

Spacings @ 5.25" (114mm)

Specifications:

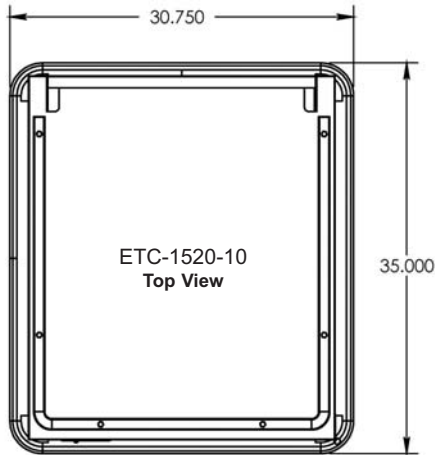
- 5 18" x 26" Trays
- 10 15" x 20" Trays
- 10 14" x 18" Trays

Dimensions:

Height: 39" (991mm)
 Depth: 35" (889mm)
 Width: 30.75" (781mm)

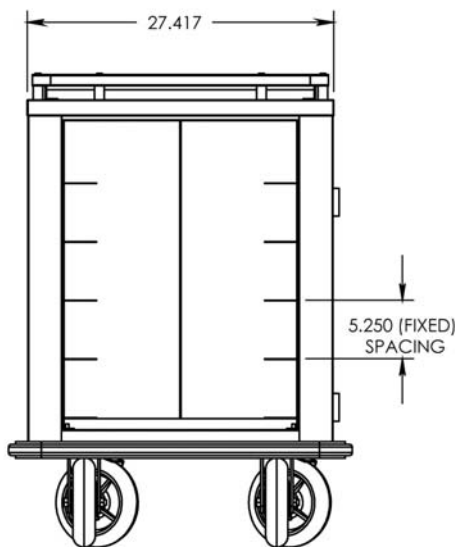
Optional Accessories:

- 300 Series stainless steel
- See-thru Lexan door
- Padlocking transport latch
- Door swing configuration
- Vented ends
- Security packages
- All swivel casters
- Door edge trim
- Cold plate cartridge
- Menu card holder
- Top guard rail (3 or 4 sided)
- Beverage urn angles
- Door hold open device
- Custom spacings

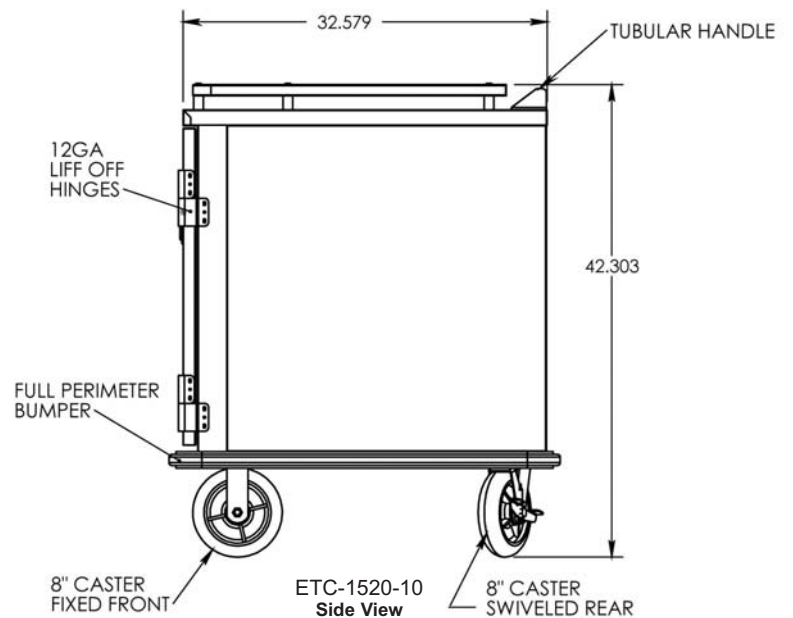


Full perimeter bumper extends beyond doors, handles, etc., for added protection with corner cut-outs to facilitate cleaning.

Full Perimeter Bumper With Non-Marking Replaceable Vinyl Cushion.



ETC-1520-10 Front View



2-Rigid, 2-Swivel with Brake 8" Quiet Ride Casters

All rights reserved. All specifications subject to change without notice. Errors subject to correction. © 14 Food Warming Equipment Company, Inc.