



Performance Features:

Patient Tray Transport and Server



Interior Rubber Stoppers



Interior Rack Grommets



- Stainless steel inside and out provides maximum reliability and sanitation. Heliarc welded, single-unit construction for long life maximum durability.
- Stainless steel tray slide design holds patient trays by the bottom for greater support for heavy food items.
- Insulated door, rubber door stoppers, and rack grommets help quiet the transport of patient trays.
- 270° door swing keeps unloading compact. Doors are out-of-the-way in busy hallways.
- Lift-off doors and pitched center drain facilitates thorough cleaning.
- Magnetic latch secures door quietly.
- Styrene hand grip inhibits bacterial growth. No moving parts to repair or replace. No hidden areas that promote bacteria.
- Maneuver cart easily with welded tubular stainless steel handle.
- Full perimeter bumper extends beyond doors and handles for added protection. Corner bumper cut-outs facilitate cleaning.

8" Multi-Terrain Quiet Ride casters roll easily and smoothly through the hospital environment.

ETC-1520-24

Shown with 300 series stainless steel and vented ends optional accessories.



Patient Tray Transport & Serving

ETC-1520-24

Specifications:

Capacity:

Spacings @ 5.25" (114mm)

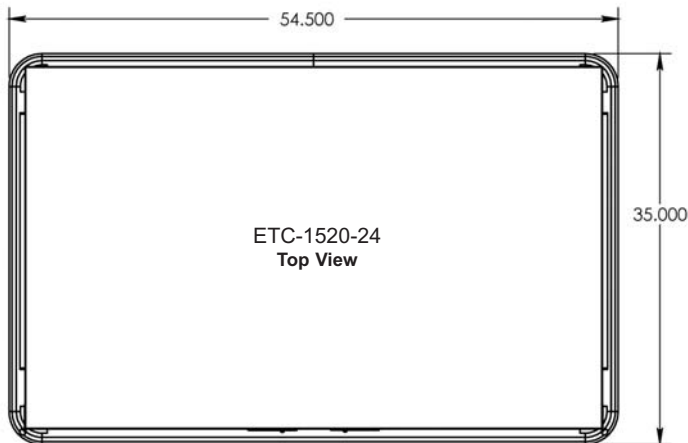
- 12 18" x 26" Trays
- 24 15" x 20" Trays
- 24 14" x 18" Trays

Dimensions:

Height: 44.5" (1130mm)
 Depth: 35" (889mm)
 Width: 54.5" (1384mm)

Optional Accessories:

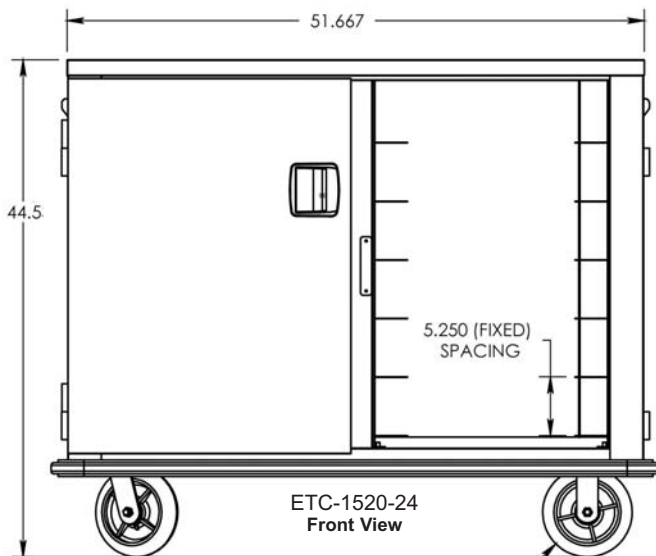
- 300 Series stainless steel
- See-thru Lexan door
- Padlocking transport latch
- Door swing configuration
- Vented ends
- Security packages
- All swivel casters
- Door edge trim
- Cold plate cartridge
- Menu card holder
- Top guard rail (3 or 4 sided)
- Beverage urn angles
- Door hold open device
- Custom spacings



ETC-1520-24
Top View

Full Perimeter Bumper
With Non-Marking
Replaceable
Vinyl Cushion.

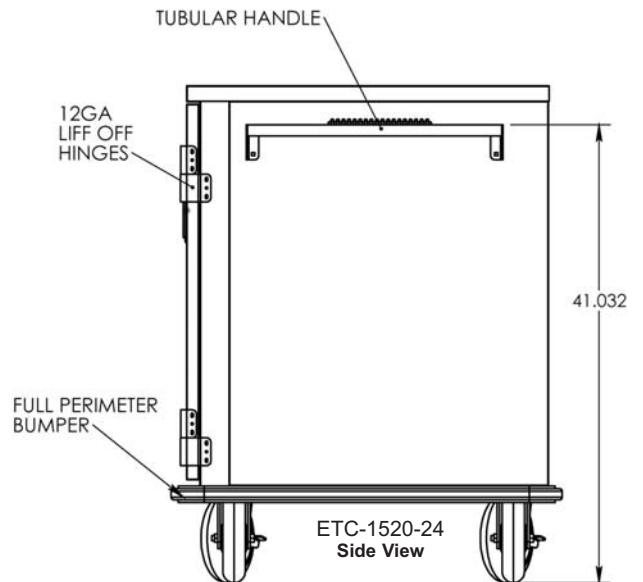
Full perimeter bumper extends
beyond doors, handles, etc.,
for added protection with corner
cut-outs to facilitate cleaning.



ETC-1520-24
Front View

2-Rigid, 2-Swivel with Brake
8" Quiet Ride Casters

Ø 8.000
CASTER



ETC-1520-24
Side View

All rights reserved. All specifications subject to change without notice. Errors subject to correction. © 14 Food Warming Equipment Company, Inc.